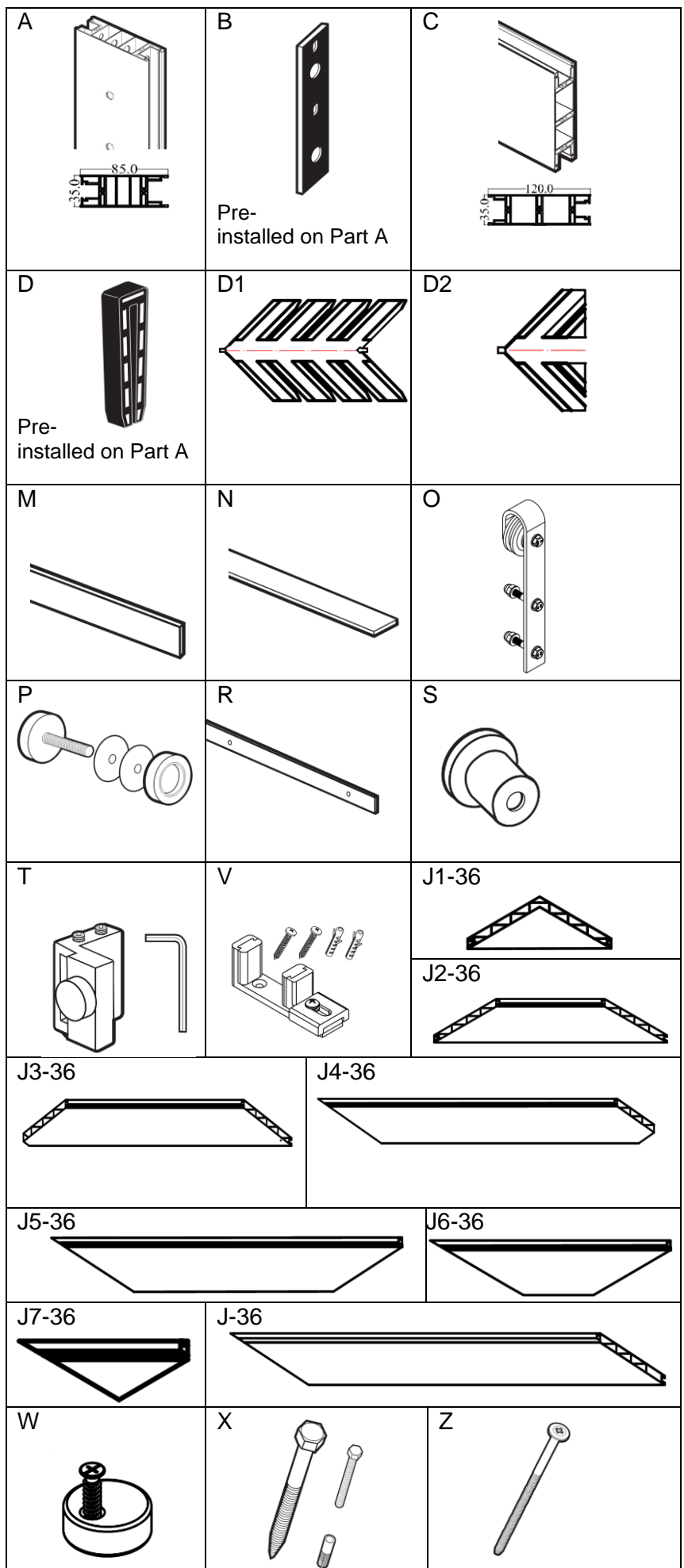


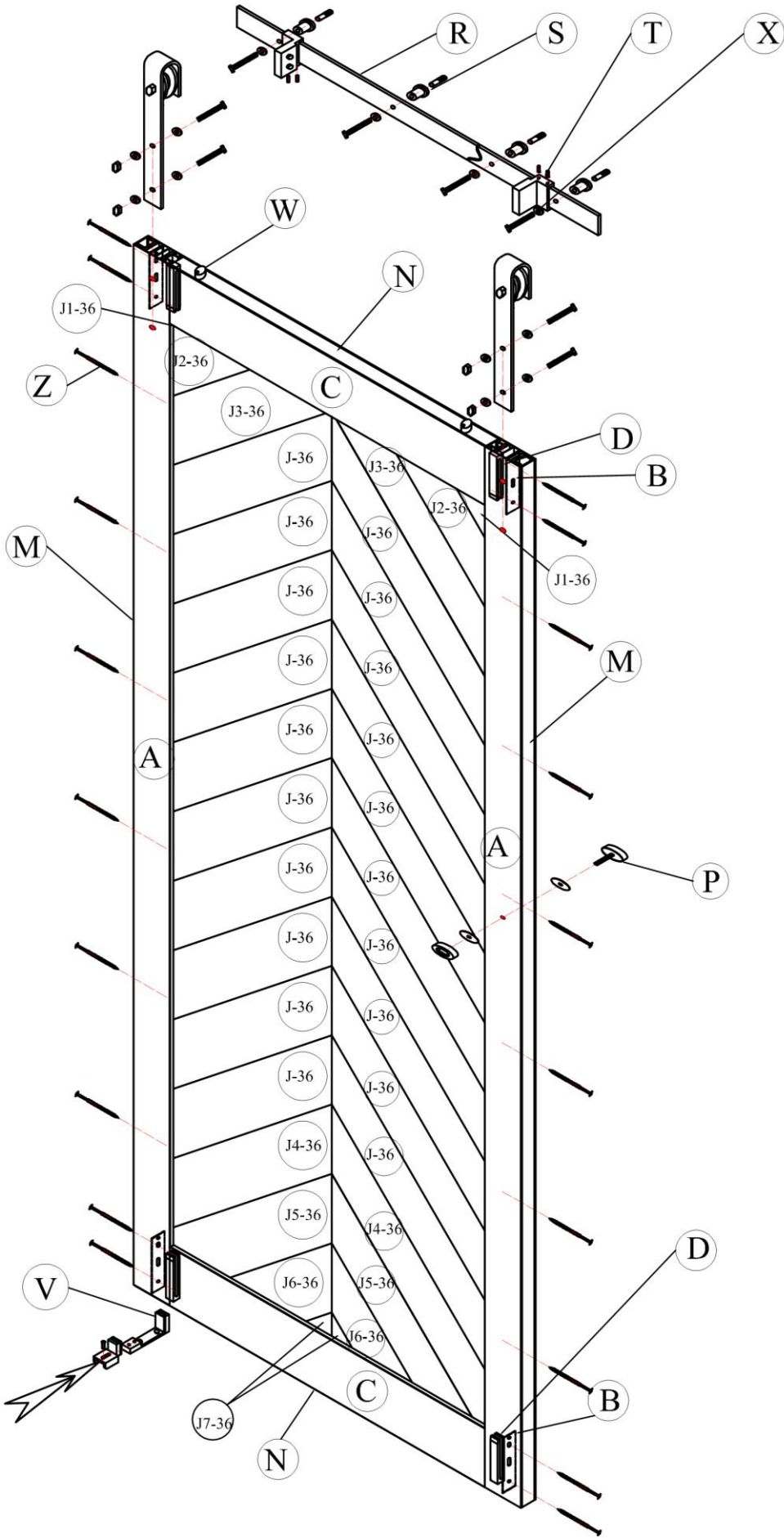
36" Chevron PART LIST

Part	Description	Qty
A	DOOR STILE 85x35x2133 mm	2
B	REINFORCEMENT PLATES	4
C	TOP/ BOTTOM RAIL 120x35x675 mm	2
D	REINFORCEMENT CLIP	4
D1	DOOR PANEL CONNECTORS	13
D2	FINISHING PANEL CONNECTOR	1
M	SIDE FINISHING STRIPS	2
N	TOP/BOTTOM FINISHING STRIPS	2
O	ROLLER BRACKET	2
P	HANDLE	1
R	TRACK	1
S	SPACERS for track install	5
T	DOOR STOPS	2
V	FLOOR GUIDE with screws	1
J1-36	DOOR PANEL	2
J2-36	DOOR PANEL	2
J3-36	DOOR PANEL	2
J4-36	DOOR PANEL	2
J5-36	DOOR PANEL	2
J6-36	DOOR PANEL	2
J7-36	DOOR PANEL	2
J-36	DOOR PANEL	20
W	SAFETY SPACERS with screws	2
X	LAG BOLTS for track installation (includes anchors for masonry application)	5
Z	SCREWS for attaching to Rails & Door stile	22

REMARK: There are some PVC strips inside door panels (J-36, J2-36→J7-36). Its function is linking those door panels to avoid the falling down when opening the package. All door panels shall be used only after withdrawing the PVC strip. Please keep one head of the strip and pull it out.



OVERVIEW



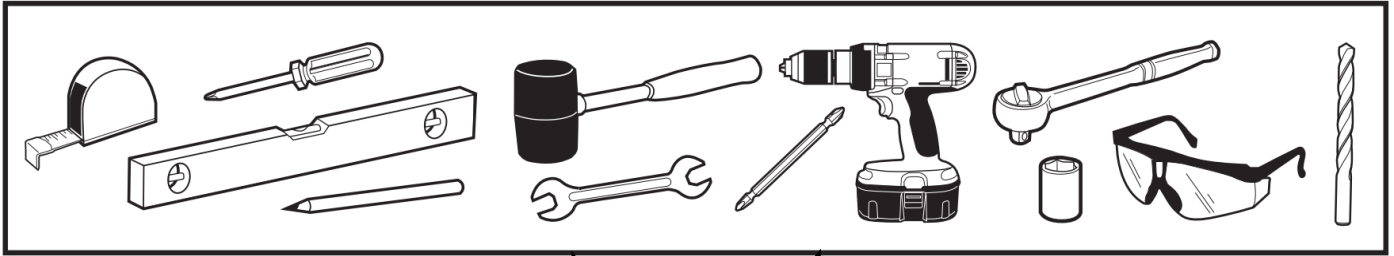
TRACK INSTALLATION

Please read ALL instructions before you begin installation.

You MUST determine if you need a Mounting Board prior to doing ANY installation. Due to many overlapping factors such as the location of wall studs, the weight of a Barn door and the various types of trim used in homes, we recommend using a Mounting Board in all situations. Track must be installed into Solid Blocking or Head Casing.

Tools Needed

You will need a Pencil, Phillips head screwdriver, Tape measure, Drill, Assorted Drill bits (5/16" & 3/8"), 6" phillips head bit (included in kit), 1/2" socket ratchet, 4ft Level, Rubber mallet and Safety glasses.



NOTE:

It is very important to determine whether you will be installing a Mounting Board prior to installing the track. If you do need to install a Mounting Board, it **MUST** be installed first.
(Mounting Board Not Included)

1. Measure for Track Height

In order to determine the proper Height for your Barn Door Track, add 3" to the height of the door being installed. Locate and mark this height on the wall (or mounting board) on the side of the door jamb where the door would be in the closed position. See Figure 1.

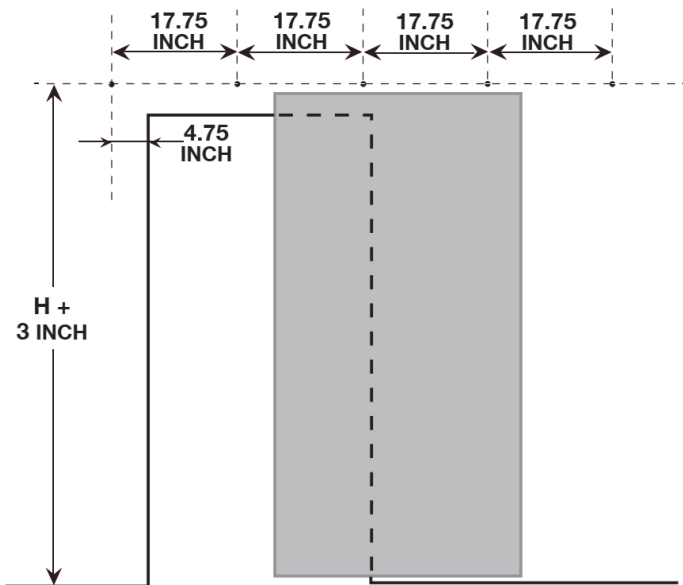


Figure 1

2. Determine Track Location

On the same side where you made your Height mark, measure 4-3/4" over from the door jamb and draw a line so the 2 measurements intersect. This will be the location of the first hole in the Track. See Figure 1 & 2.

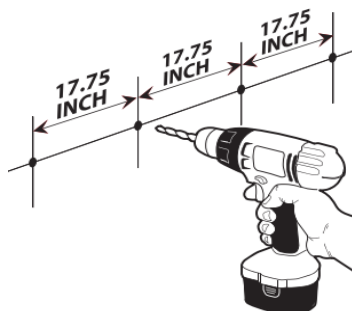


Figure 2

3. Insert Mounting Hardware

Drill pilot hole. Insert lag bolt (X) through the first track hole, then place the track spacer (S) through the bolt on back of the track. Install the lag bolt with 1/2" socket ratchet. Do not tighten fully. Swing the track up and use the level to ensure the track is straight. Mark the remaining holes in the track. Drill remaining pilot holes. Slide the stopper (T) onto the track for the end of the track where you installed the first bolt so it is between the first and second holes on that end of the track. Install the next bolt and spacer at this end of the track. Install the remaining bolts and spacers. Go back and fully tighten the first bolt. Slide the remaining stopper onto the other end of the track. Do not set either stopper at this point. Refer to Figures 3A, 3B & 3C.

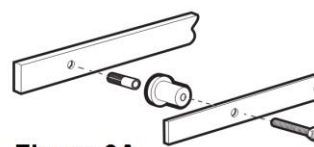


Figure 3A
Masonry Application

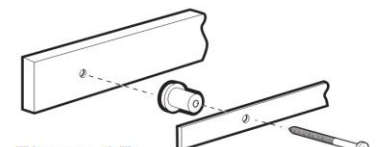


Figure 3B
Mounting Board/Stud Application

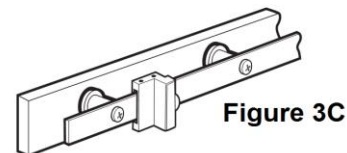


Figure 3C

DOOR INSTALLATION

4. Assemble of 14 sets of door panel

Take one J-36 panel and let its tongue face outward. Insert the ribs at one side of D1 connector (fishbone shaped) into the upper opening edge of J-36 panel. Take another J-36 panel with tongue facing outward and slide its upper opening edge to the ribs at other side of D1 connector. Make sure that the tongues of two J-36 panels are facing outward. Push two panels to join together and let the D1 connector invisible by leaving no gap between 2 panels. This is one set. See **Figure 4 and 4A**. Repeat same process and join every two J-36 panels with one D1 connector together until that there are total 10 sets.

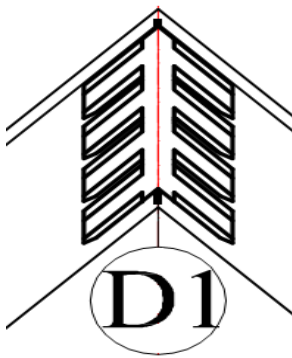


Figure 4

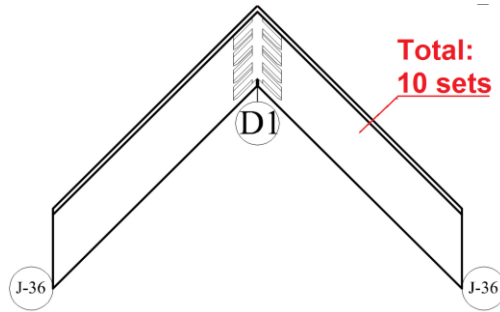


Figure 4A

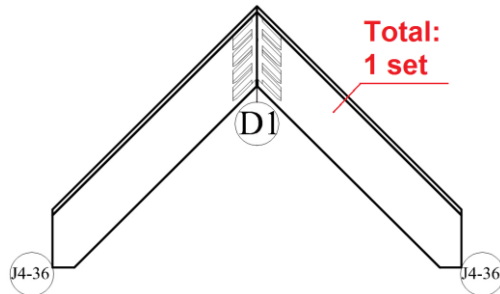


Figure 4B

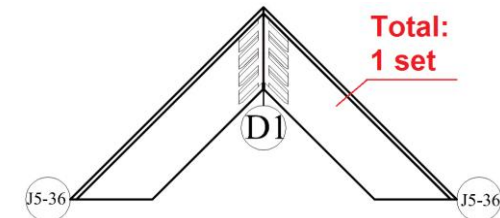


Figure 4C

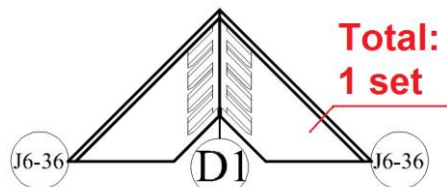


Figure 4D

Apply the same process to join two J4-36 panels together by a D1 connector as one set, to join two J5-36 panels together by a D1 connector as one set and to join two J6-36 panels by a D1 connector as one set. See **Figure 4B, 4C and 4D**. But, use D2 connector to join two J7-36 panels together as a set. See **Figure 4E**.

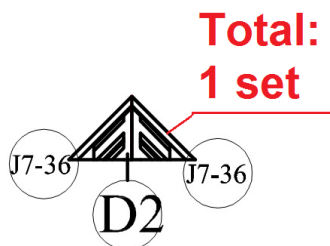


Figure 4E

5. Attach Door Stile to Top Rail

The plates (Part B) and black clip (Part D) are pre-installed into door stile (Part A). Lay a door stile in flat. The flat end with two big pre-drill holes for installing roller bracket (Part O) is the upper end. Make sure that the big groove with two large holes at one stile side is facing outward and the small groove with black clip (Part D) at another stile side is facing inward. See **Figure 5A**. Insert a 4" screw (Part Z) to each of the two holes at outer groove of upper stile side and make sure the two screws are fully inserted. See **Figure 5A and 5B**. Make sure that the big groove at one side of Top Rail (Part C) is facing upward and the small groove at another side is facing downward. Place horizontally Top Rail (Part C) against the upper end of door stile and simultaneously let both upper and lower holes at the top rail end receive the two screw tips come from the door stile side. See **Figure 5C**. Once screws and holes are placed in position, drive the screws into the holes until door stile and top rail are flush and secure.

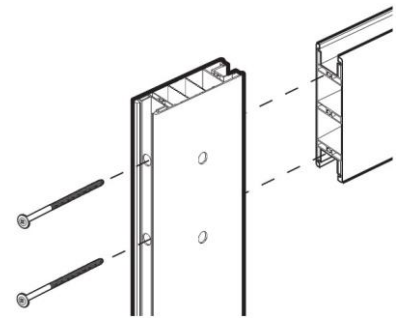


Figure 5A

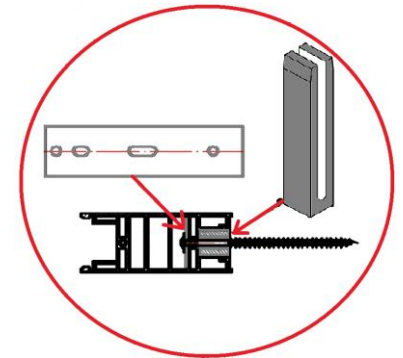


Figure 5B

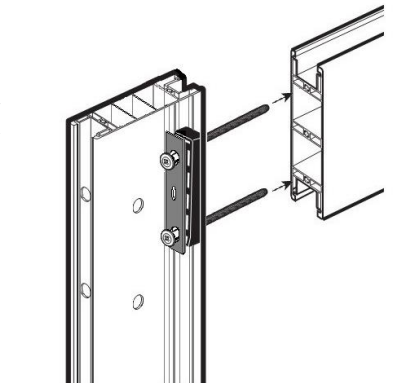


Figure 5C

6. Slide in door panels and door-panel sets into the door stile

Firstly, insert the triangle J1-36 panel (the smallest panel) into the vertical angle corner of Top Rail (C) and Stile (A) by fitting each opening edge into the groove of each Top Rail (C) and Stile (A). Make sure that the groove of J1-36 panel is facing outward. See **Figure 6**.

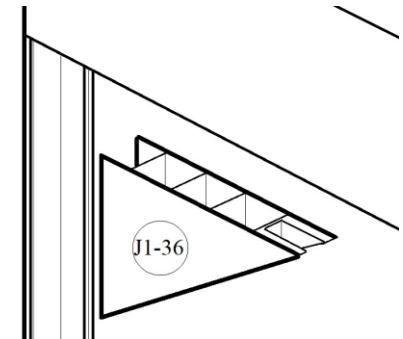


Figure 6

After fitting J1-36 panel into the corner, apply same process on J2-36 panel but plug its tongue into the groove of J1-36 panel. After fitting J2-36 panel into J1-36, rail and stile, apply same process on J3-36 panel. Gently tap into place with the rubber mallet if necessary.

Continue the same process in sequence with 10 sets of J-36 panel, then 1 set of J4-36 panel and then 1 set of J5-36 panel. Upward the sharp head of these door-panel sets in order to join every panel set in right direction. Also, the left open edge of each door-panel set shall slide into the Stile (A). Again, make sure that all the door panels join each other firmly. Tap into place if necessary. The next step is applying the two bottom door-panel sets which are set of J6-36 panel and J7-36 panel. Insert the tongue of J6-36 panel set into the groove of J5-36 panel set and make sure they join firmly. Tap into place if necessary. Continue with applying J7-36 panel set into J6-36 panel set. Make sure the two panel sets fit each other and Stile (A) tightly. Tap into place if necessary. See **Figure 6A**.

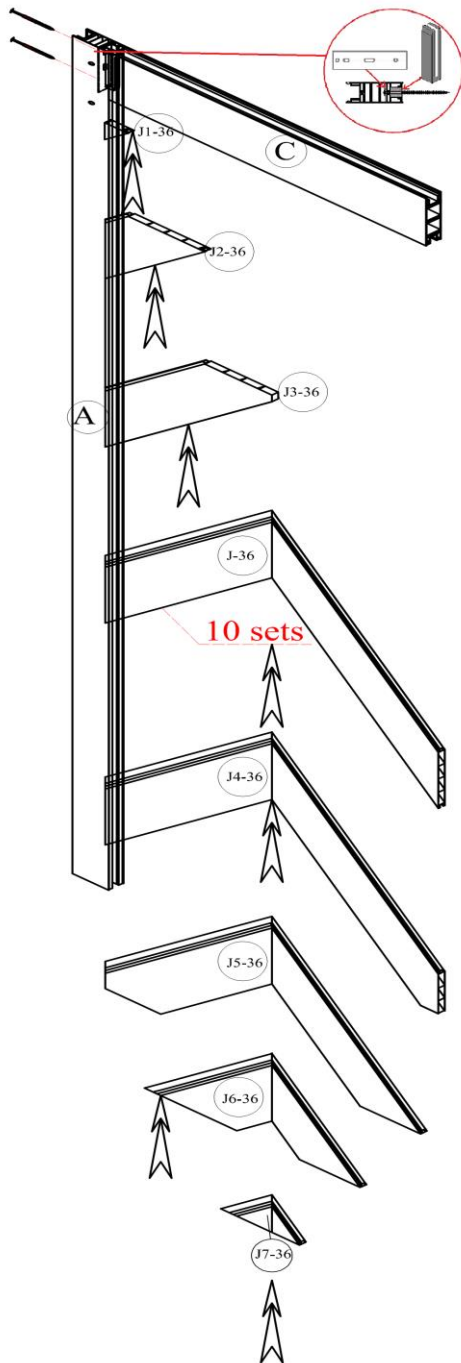


Figure 6A

Finally, insert the remaining J3-36 panel, J2-36 panel and J1-36 panel into the open space between installed J-36 panel and Rail (C) at upper portion of door. Make sure that the open edge with cut-off corner of J3-36 panel shall be slide into the groove of Rail (C) and also that the groove of the J3-36 panel shall face downward in order to catch the upward tongue of J-36 panel. Same process shall be used on applying J2-36 panel to J3-36 panel as well as J1-36 panel to J2-36 panel to fill up that open space. See **Figure 6B & 6C**.

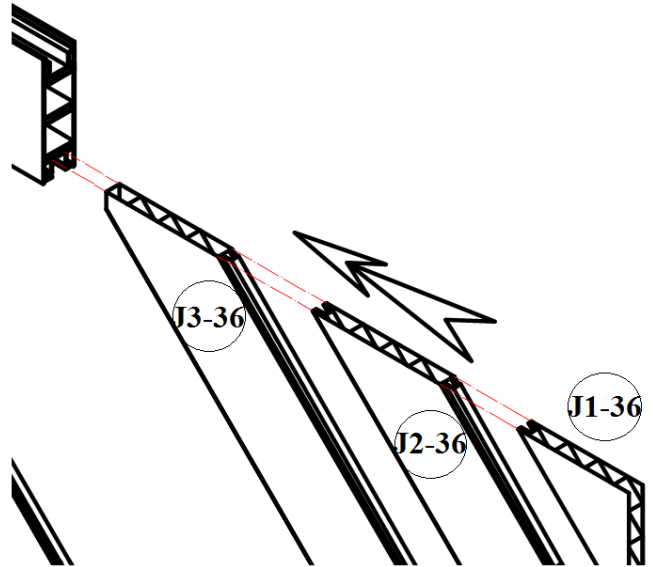


Figure 6B

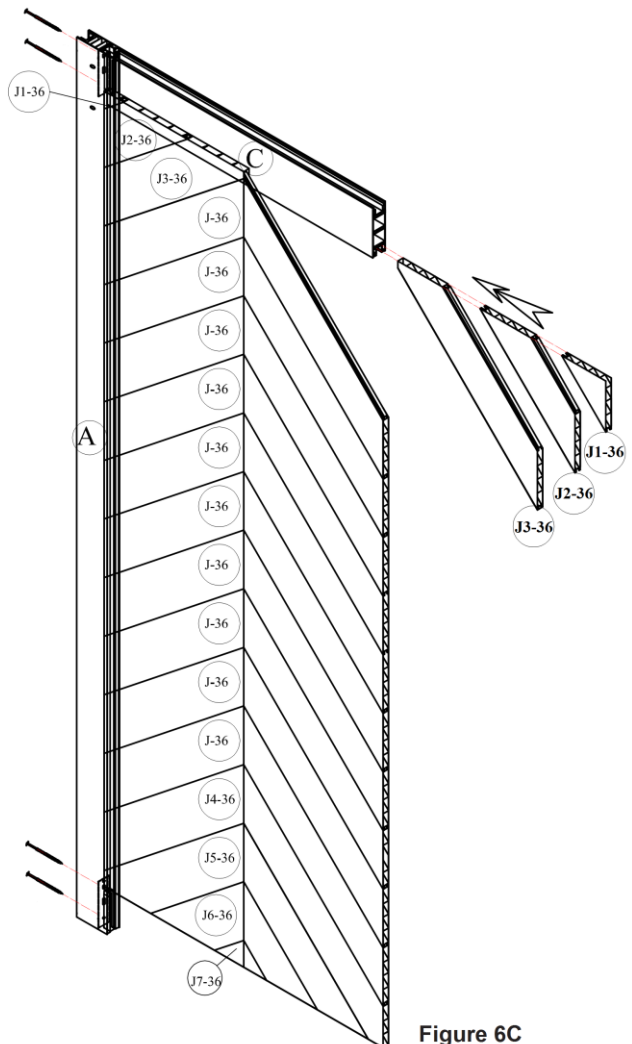


Figure 6C

7. Attach Door Stile to Bottom Rail

Insert a 4" screw (Part Z) to each of the two holes at big groove of lower side of door stile and make sure the two screws are fully inserted. See **Figure 7A**, **7B** and **7C**. Let the small groove at one side of Bottom Rail (Part C) is facing upward and the big groove at another side is facing downward. Slide horizontally the Bottom Rail along the bottom edges of J4-36, J5-36, J6-36 and J7-36 panels till it stops by the screws from the lower end of door stile and simultaneously let both upper and lower holes at the bottom rail end receive the two screw tips. Make sure all the bottom edges of J4-36, J5-36, J6-36 and J7-36 panels are in the small groove of bottom rail. See **Figure 7**. Once screws and holes are placed in position, drive the screws into the holes until door stile and top rail are flush and secure.

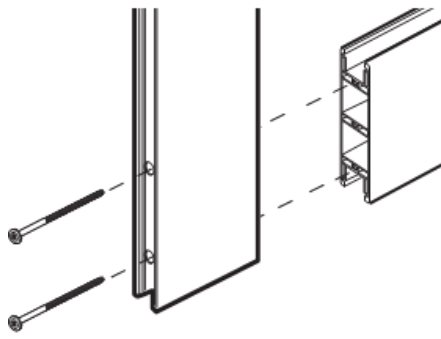


Figure 7A

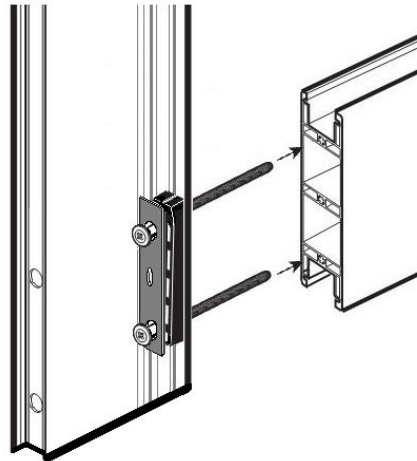


Figure 7B

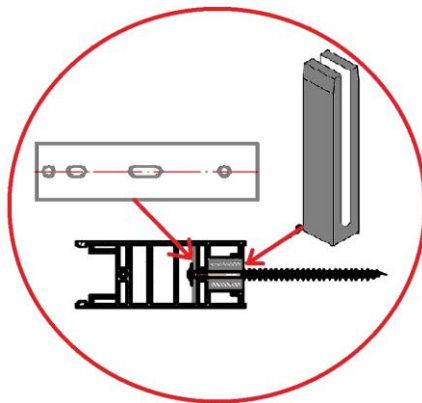


Figure 7C

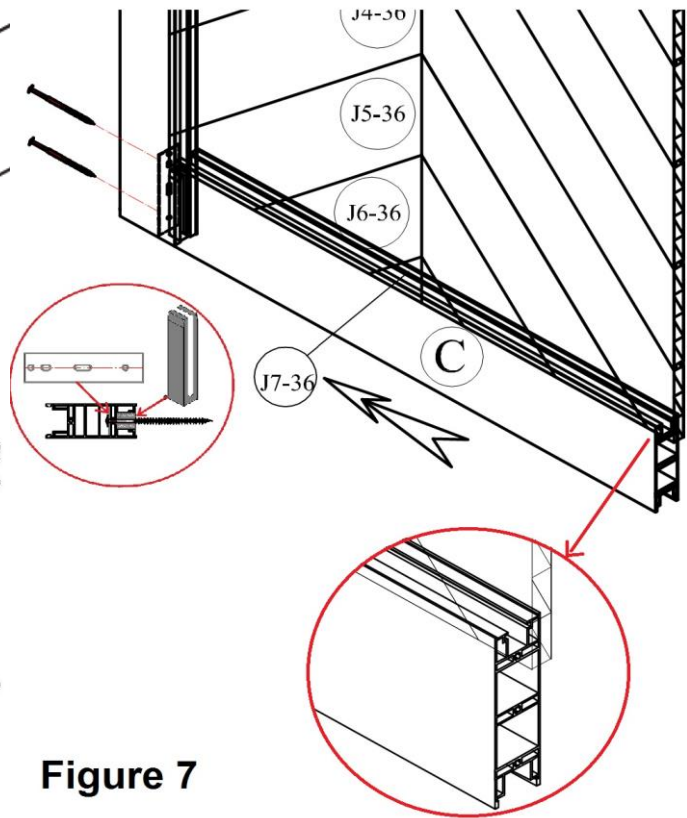


Figure 7

8. Attach remaining Door Stile

Take the remaining door stile (Part A) and keep the big groove of one stile side facing outward (the small groove with black clip at another stile side shall face inward). Attach the door stile against the top and bottom rail (Part C) and simultaneously let the open side edges of panels are all in the small groove of door stile side. See **Figure 8**. Insert a 4" screw (Part Z) to each holes at outer groove of upper stile side and make sure the two screws are fully inserted. Let both upper and lower holes at top rail end receive the two screw tips come from the upper door stile side. See **Figure 8A** and **8B**. Once screws and holes are placed in position, drive the screws into the holes until the stile and the top rails are 1/2" apart. Do not fully drive in. Do the same with door stile (Part A) and bottom rail (Part C). See **Figure 8C**. Then, drive screws fully into the holes at both ends of top and bottom rails.

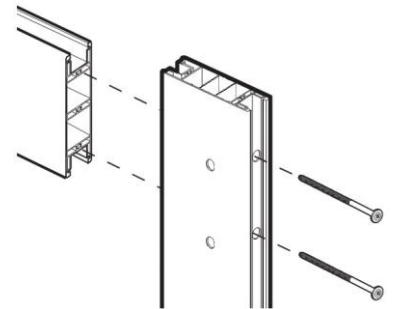


Figure 8A

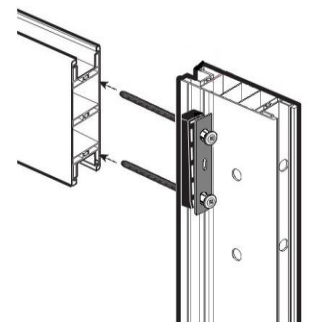


Figure 8B

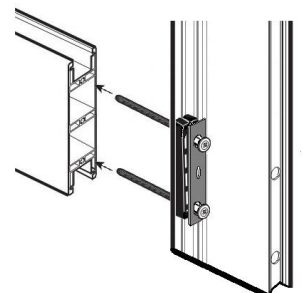


Figure 8C

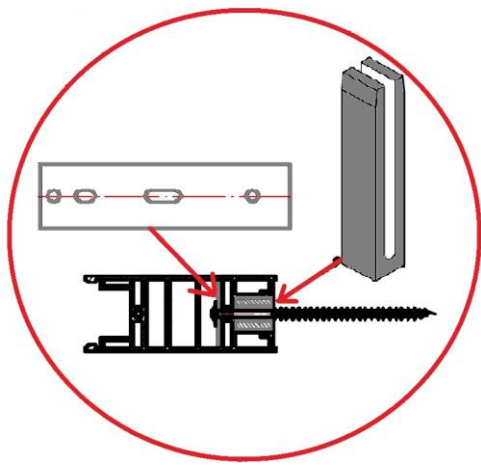


Figure 8D

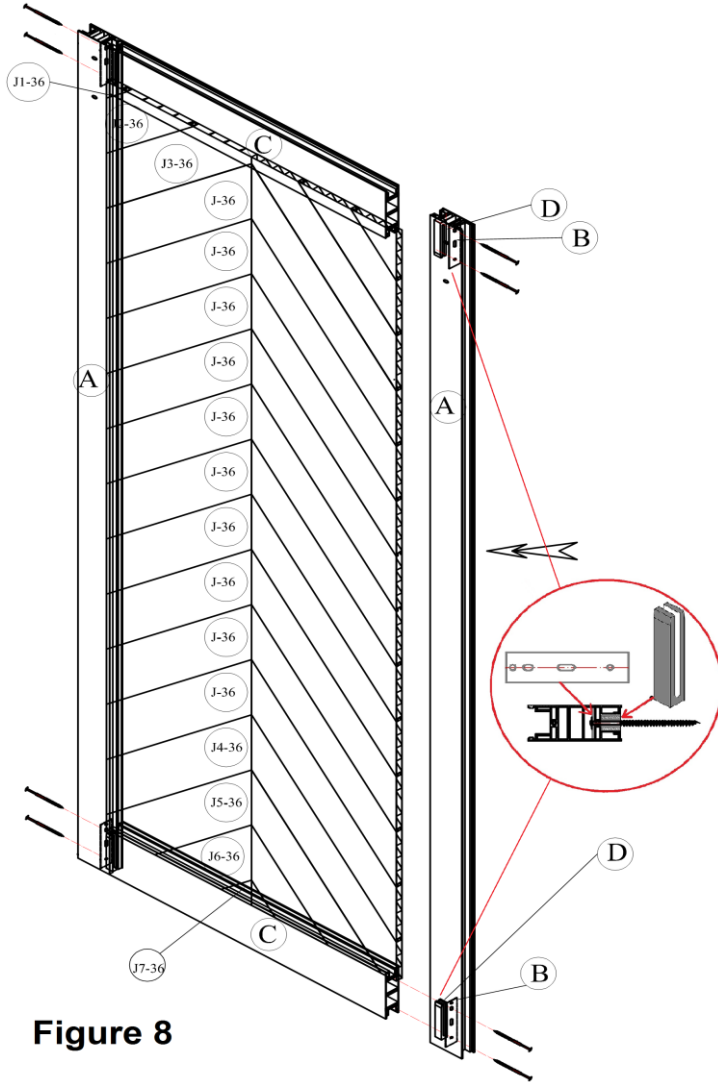


Figure 8

9. Side Screws and Finishing Strips

Check the door again. Make sure that there is not any big gap between the panels of door. Gently tap into place with the rubber mallet if necessary. Place 12 of the 4" screws (Z) into the 12 holes in the outside of the channels (6 holes per channel). Fully tighten the screws. See **Figure 9A**. Next, snap the 2 side finishing strips (M) into place. Snap the top and bottom strips (N) into place. See **Figure 9B**.

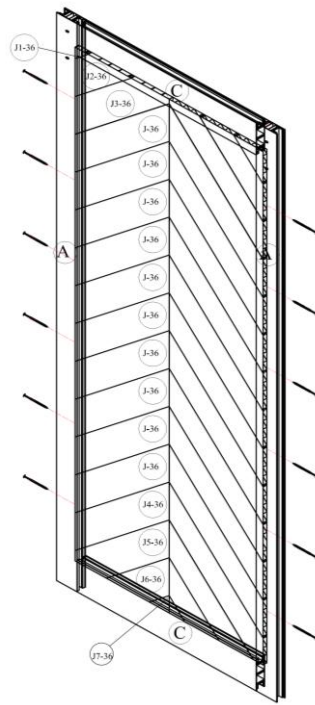


Figure 9A

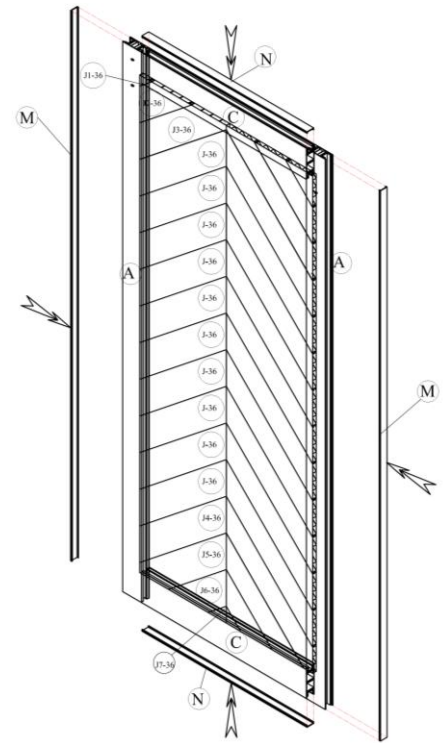


Figure 9B

10. Install Roller Brackets

Each stile of door comes with 2 holes for the rollers already drilled. Place the roller over the pre-drilled holes, make certain 2 screws of rollers be straight, and use the socket or an adjustable wrench to tighten the roller bolts. See **Figure 10**.

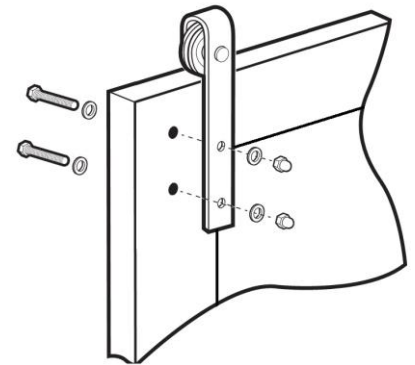


Figure 10

11. Install Safety Spacers

Once the Roller brackets have been secured and the finishing strips in place, it is important to install the Safety spacers (W). These spacers help to protect the door from being bumped off of the track. With the door laying flat in a safe and secure position, place one of the two spacers approximately 2" to the inside of one of the roller brackets. Place slightly off center towards the front of the door. Using a drill, secure the spacer with the screw provided. Repeat steps to install the second spacer inside the other roller bracket.

See **Figure 11**

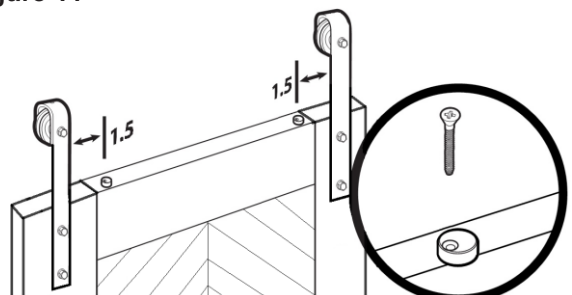


Figure 11

PLACE DOOR ONTO TRACK

12. Place door onto Track

Position the door over the opening and slightly tilt the bottom of the door outward away from the wall. Set the rollers securely onto the track. Once the door is safely mounted and is secure, turn the 2 safety spacers 180 degrees towards the wall. This positions them properly under the track. See **Figure 12**.

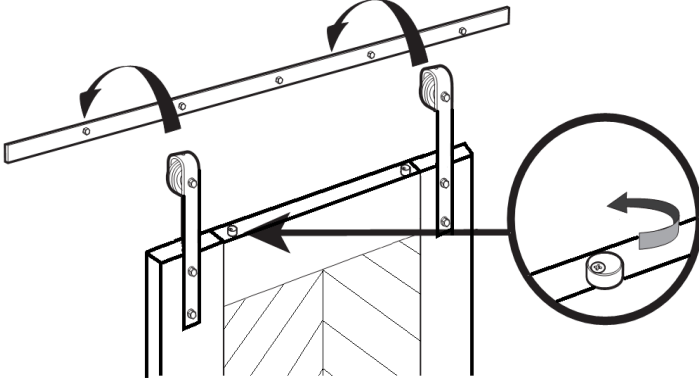


Figure 12

13. Install Handle

If you install a handle, measure up approximately 38" to 40" from the bottom of the door (or desired height), mark the location and then measure in from the edge of the door to where you would like the handle placement and mark that location. If using the provided handle, drill a hole at the marked location using a 5/16" drill bit then put one side of the handle, washer and screw through the hole and then on the back side of the door, place the other side of handle and washer onto the screw until tight. If using another type of handle, be sure it corresponds with the thickness of your Barn door. See **Figure 13**.

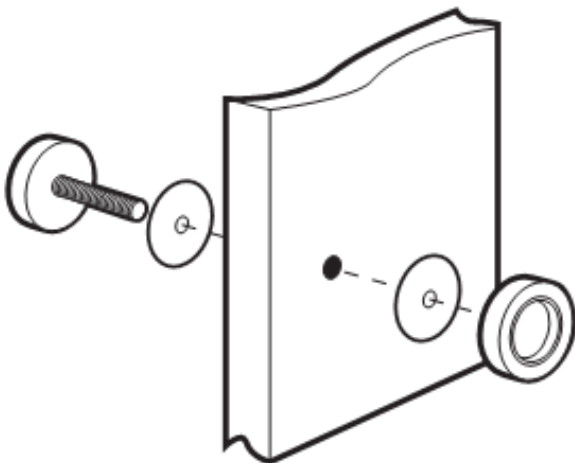


Figure 13

14. Install Floor Guide

The Bottom Door guide (V) keeps the door from swinging outward away from the wall. To locate the proper installation position in the floor, slide the door into the closed position and mark the outside edge of the door on the floor. Now place the door into the open position and mark the inside edge of the door on the floor. Make sure your guide location is well marked. Make sure that whether the door is in the open or closed position, that the door NEVER leaves the Door guide. This is the proper location for the Door guide. Set the width of the floor guide to 1 1/2". Slide the door out of the way and place it on the floor in between the 2 marks. Pre-drill holes if necessary for your floor type. Using a drill and the screws provided, secure the Door guide to the floor. See **Figure 14A-14B-14C**.

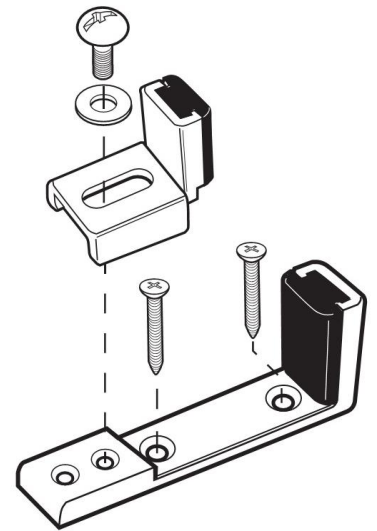


Figure 14A

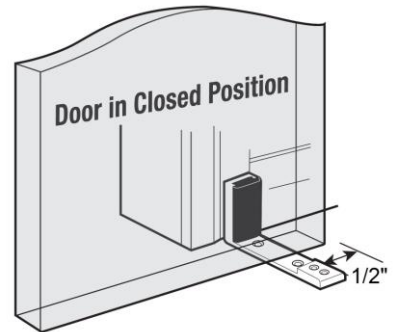


Figure 14B

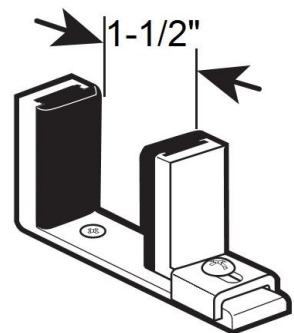


Figure 14C

15. Set Door Stops on Track

Make sure the rubber stoppers are facing inward on each side. Move the door to the closed position and slide the Door stop to desired location. Using the provided Allen wrench, tighten the screws in the door stop to secure it in place. Then carefully glide the door into the fully open position and repeat the steps for the remaining Door stop. See **Figure 15**.

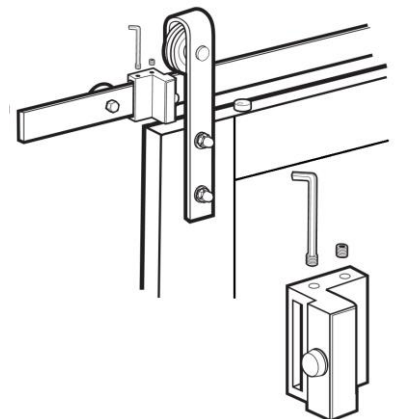


Figure 15