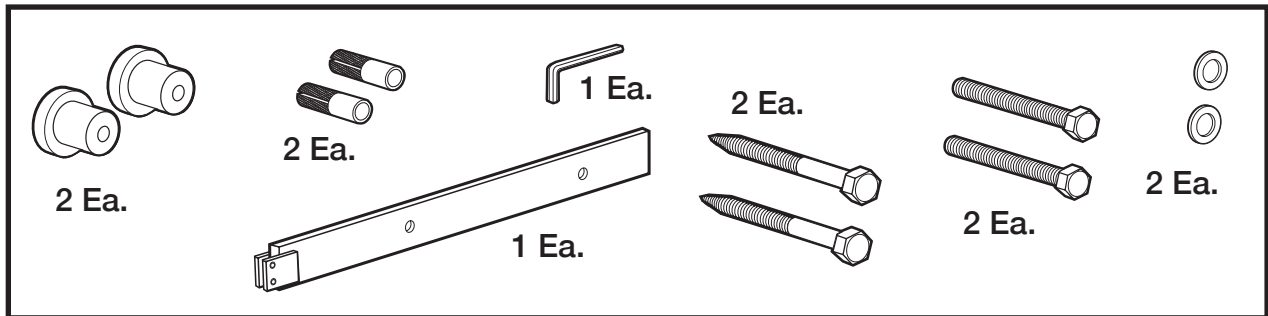


# 42" Barn Door Track Extension Kit

For the 42" Barn door, it is necessary to use the track extension included in your Barn door kit.

## Kit Includes



## Tools Needed

Level

To attach the extender, lay the track on the floor. Slip the extender onto the end of the track where the door will be in the open position. It is important that the side of the track extender with the lip is facing to the top. Begin tightening the 2 screws with the allen wrench (See Figures 1A & 1B). Use the level to be sure the track and extender are straight and then fully tighten (See Figure 2). Turn the track and extender over, use the allen wrench to tighten the 2 remaining screws. Use the level one more time to check the track is straight and then fully tighten the screws.

The extended track is now ready to install. Please refer to the Instructions for your Barn door kit for proper installation.

**IMPORTANT:** It is important to read all instructions before you begin installation. A mounting board is recommended and must be installed prior to hanging the track and door.

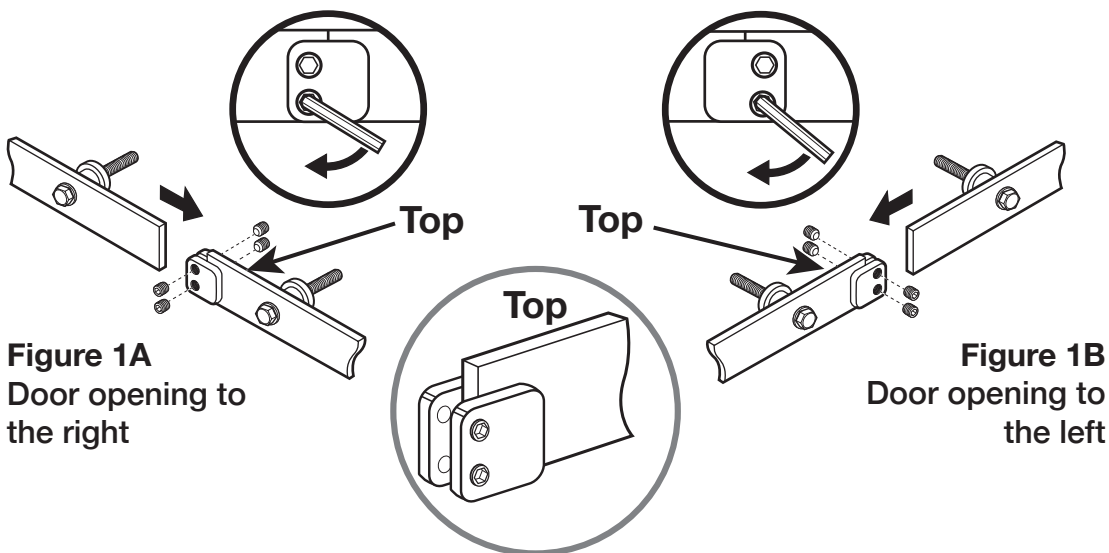
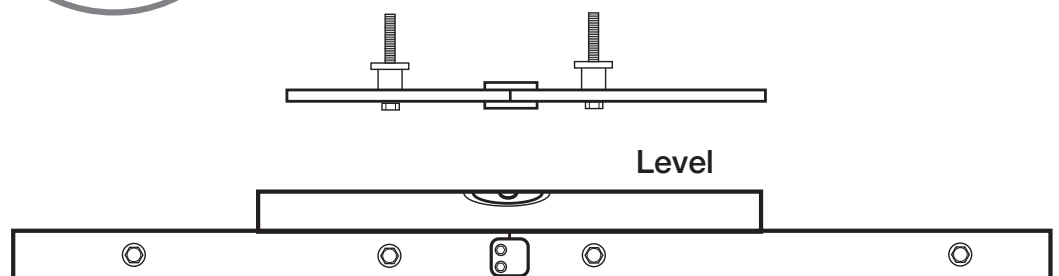


Figure 1A  
Door opening to  
the right

Figure 1B  
Door opening to  
the left

Figure 2



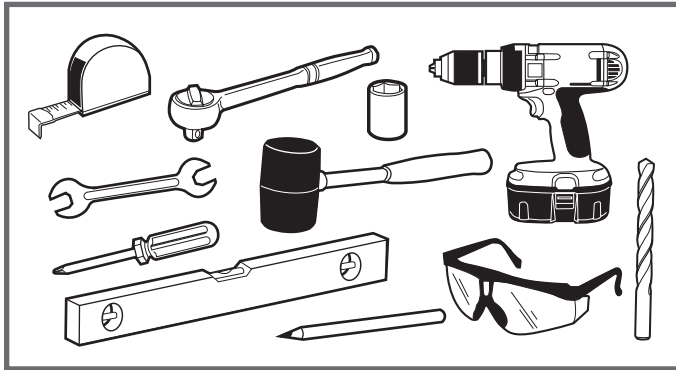
# PVC Barn Door Assembly and Track Installation G Style 42"

Please read ALL instructions before you begin installation.

You MUST determine if you need a Mounting Board prior to doing ANY installation. Due to many overlapping factors such as the location of wall studs, the weight of a Barn door and the various types of trim used in homes, we recommend using a Mounting Board in all situations. Track must be installed into Solid Blocking or Head Casing.

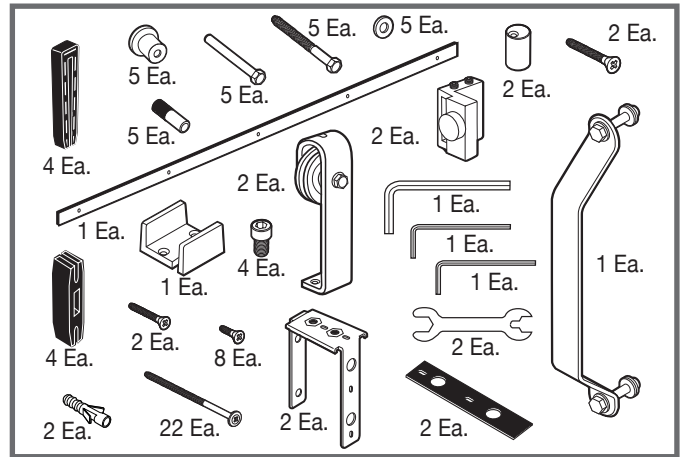
## Tools Needed

You will need a Pencil, Phillips head screwdriver, Tape measure, Drill, Assorted Drill bits (5/16" & 3/8"), 6" phillips head bit and 1/2" socket ratchet, 4ft Level, Rubber mallet and Safety glasses.



## Parts List

Make sure ALL parts are included before beginning.



**NOTE**

**NOTE:** It is very important to determine whether you will be installing a Mounting Board prior to installing the track. If you do need to install a Mounting Board, it **MUST** be installed first.

**NOTE**

### 1. Measure for Track Height

In order to determine the proper Height for your Barn Door Track, add 3" to the height of the door being installed. Locate and mark this height on the wall (or mounting board) on the side of the door jamb where the door would be in the closed position. See Figure 1.

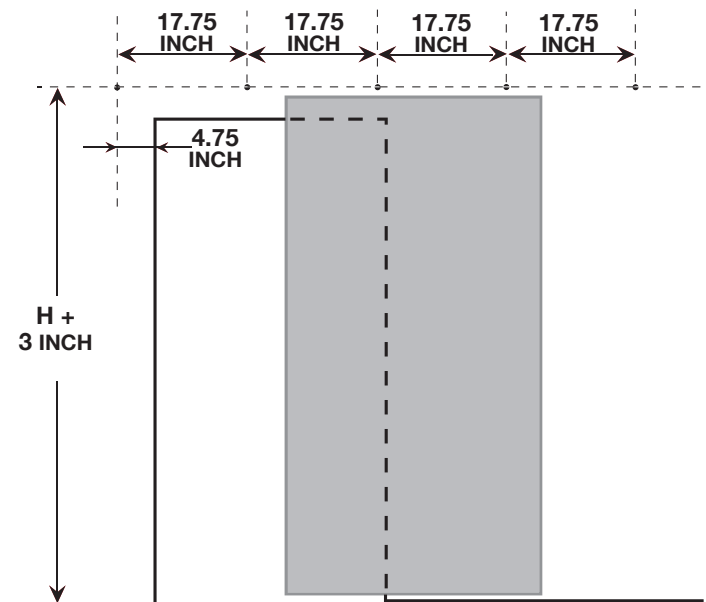
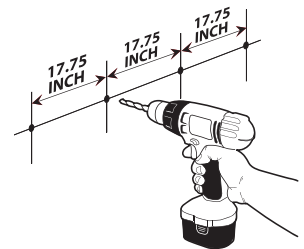


Figure 1

### 2. Determine Track Location

On the same side where you made your Height mark, measure 4-3/4" over from the door jamb and draw a line so the 2 measurements intersect. This will be the location of the first hole in the Track. See Figure 1.



### 3. Insert Mounting Hardware

Drill pilot hole. Insert lag bolt through the first track hole, then place the track spacer through the bolt on back of the track. Install the lag bolt with 1/2" socket ratchet. Do not tighten fully. Swing the track up and use the level to ensure the track is straight. Mark the remaining holes in the track. Drill remaining pilot holes. Slide the stopper (T) onto the track for the end of the track where you installed the first bolt so it is between the first and second holes on that end of the track. Install the next bolt and spacer at this end of the track. Install the remaining bolts and spacers. Go back and fully tighten the first bolt. Slide the remaining stopper onto the other end of the track. Do not set either stopper at this point. Refer to Figures 2A, 2B & 2C.

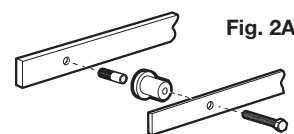


Figure 2A  
Masonry Application

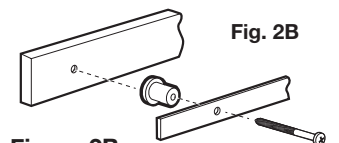


Figure 2B  
Mounting Board/Stud Application

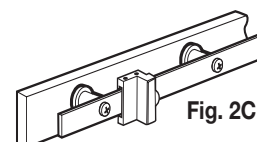


Figure 2C

# PVC Barn Door Assembly and Track Installation G Style 42"

## 4. Assemble Top Rail and Transom Section

Take the Top Rail (C), making sure the side with the large holes is facing to the outside. Place 2 of the 4" screws through the outside channel of the Top rail until fully inserted. Place reinforcement clip onto screw shafts. Take one of the vertical transom stiles and line up the extrusion holes with the screws. Tighten until flush and secure. Do not over tighten. Repeat with the other transom stile. See Figure 3.

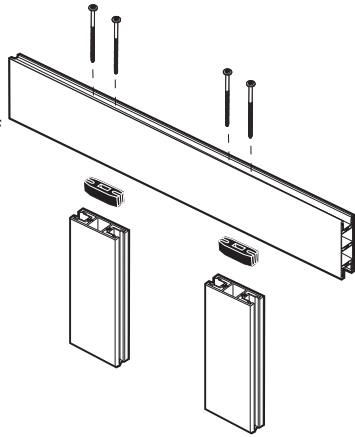


Figure 3

Snap the top and 2 side gaskets into the center transom channels. Take one of the glass panels, remove the protective paper, and slide panel into the center transom. Place bottom gasket onto the center glass panel See Figure 4.

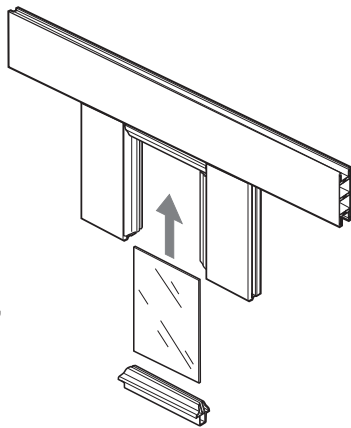


Figure 4

Attach the Bottom Transom Rail. Insert 2 of the 4" screws into the large holes in the rail until fully inserted. Repeat with the other 2 screws. Line up the extrusion holes in the transom stiles with the screws and tighten until flush and secure. Do not over tighten. See Figure 5A.

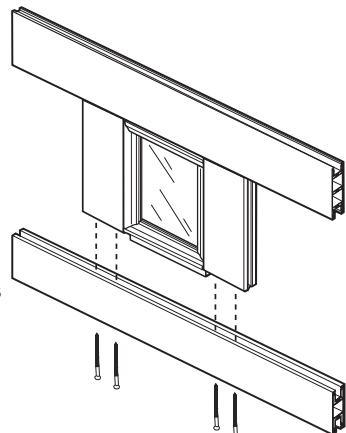


Figure 5A

Insert inner side gasket and then the top and bottom gaskets into the next transom area. Slide a glass panel (paper removed) into the gasket channels. Repeat steps to insert the remaining glass panel. See Figure 5B.

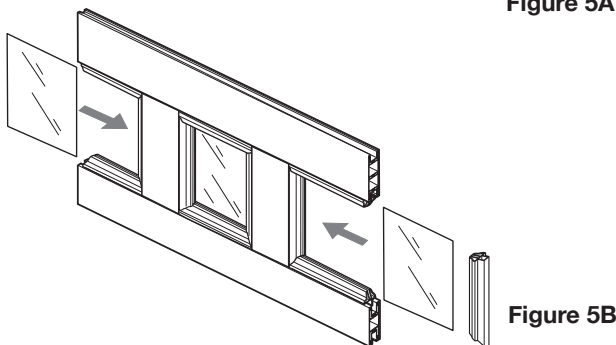


Figure 5B

## 5. Attach Door Stile

Take one of the Stiles (A), making sure the side with the large holes are facing outward. Insert U bracket (G) into the Top of the stile into the outside channel and the innermost channel. The side of the U clip with the larger holes should be facing the outside edge of the door. The top of the U clip will rest on the top of the stile once inserted. See Figure 6.

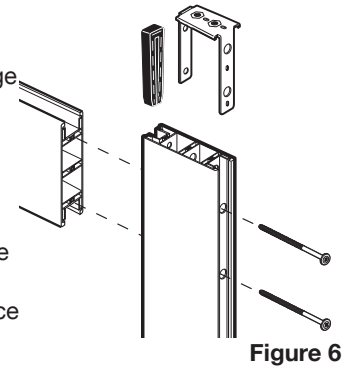


Figure 6

Place 2 of the 4" screws into the 2 holes in the outside of the Stile channel. Make sure they are fully inserted. Slide a reinforcement clip (D) into the channel and over the screw shafts. See Figure 6A & 6B.

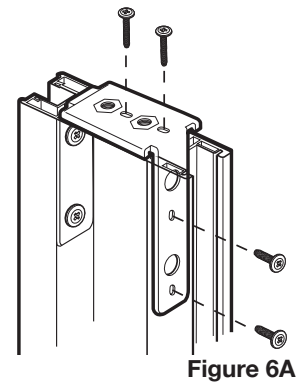


Figure 6A

Insert two small screws into the oval holes on top of the U bracket and secure to the top of the stile. Take 2 small screws and secure into the oval hole in the outside of U bracket (G). This will be the outside of the stile. See Figure 6A

Place 2 of the 4" screws into the 2 holes in the outside of the Stile channel at the bottom of the window section. Make sure they are fully inserted. Slide a small reinforcement clip (F) into the channel and over the screw shafts. Line up the 4 screws inserted through the Stile with the extrusion holes in the top rail and the bottom transom rail and tighten all 4 screws until flush and secure. See Figure 6C

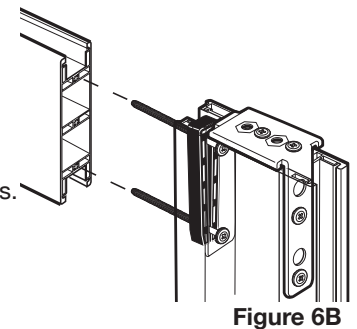


Figure 6B

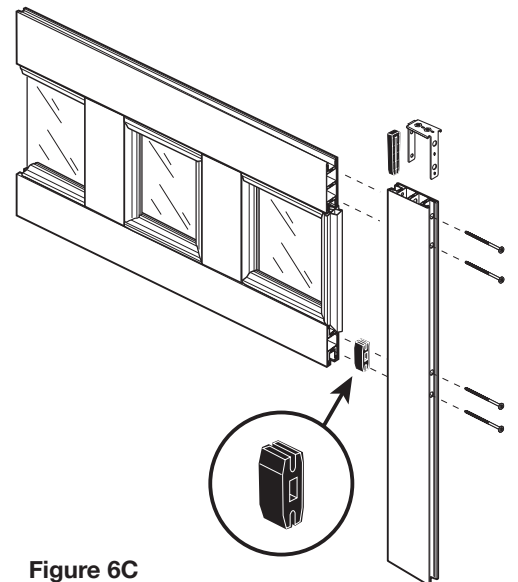


Figure 6C

# PVC Barn Door Assembly and Track Installation G Style 42"

## 6. Attach Bottom Door Rail to Stile

Insert one of the Reinforcement plates (B) into the bottom of the Stile into the innermost chamber of the Stile. See Figure 7.

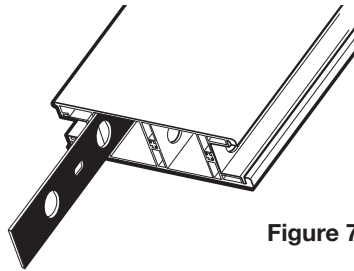


Figure 7

Place 2 of the 4" screws into the 2 holes in the outside of the channel. Make sure they are fully inserted. See Figure 7A & 7B.

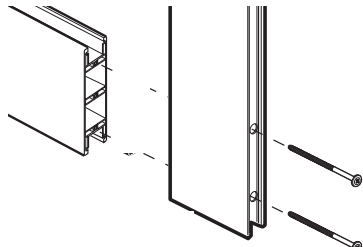


Figure 7A

Slide a reinforcement clip (D) into the channel and over the screw shafts. Make sure side of the bottom rail with the thinner channel is facing up towards the inside of the door. Place the end of the Bottom rail (C) against the screws, lining up the holes in the extrusion. See Figure 7B

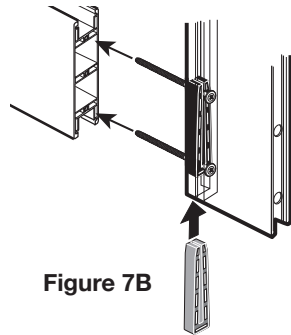


Figure 7B

Once in place, tighten the screws until stile and rail are flush and secure.

## 7. Insert Door Panels

Take the starter panel (J1) and slide into the door frame below the transom section. See Figure 8. Make sure it fits snug into the stile channel. Gently tap into place with the rubber mallet if necessary. Repeat with the remaining panels (H), making sure the tongue sides of the panels are inserted first. End panel will be the last panel (L1). See Figure 8A. Make sure the panels fit snugly and gently tap if necessary. Refer to Door overview for layout.

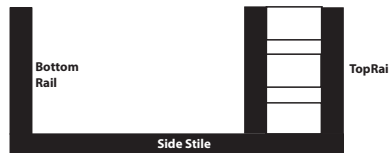


Figure 8



Starter Panel

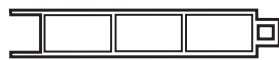
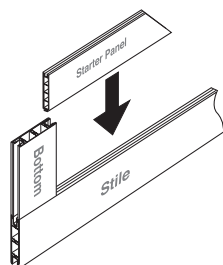
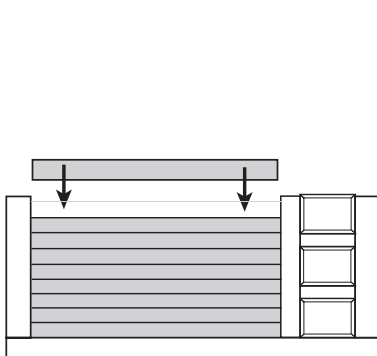


Figure 8A

End Panel



## 8. Attach Remaining Door Stile

Secure the remaining stile (A). Make sure the side with the large holes are facing outward. Insert one of the Reinforcement plates (B) into the bottom of the Stile into the innermost chamber of the Stile. Place 2 of the 4" screws into the 2 holes in the outside of the channel. Make sure they are fully inserted. Slide a Reinforcement clip (D) into the channel and over the screw shafts. Place the end of the Bottom rail (C) against the screws, lining up the holes in the extrusion. Once in place, tighten screws until stile and bottom rail are about 1/2" apart. Do not tighten full at this point.

Insert U bracket (G) into the Top of the stile into the outside channel and the innermost channel. The side of the U clip with the larger holes should be facing the outside edge of the door. The top of the U clip will rest on the top of the stile once inserted. Place 2 of the 4" screws into the 2 holes in the outside of the Stile channel. Make sure they are fully inserted. Slide a reinforcement clip (D) into the channel and over the screws shafts.

Insert two small screws into the oval holes on the top of the U bracket and secure to the top of the stile. Take 2 small screws and secure into the oval holes in the outside of U bracket (G). This will be the outside channel of the stile. Place the remaining side gasket onto this panel.

Place 2 of the 4" screws into the 2 holes in the outside of the Stile channel at the bottom of the window section. Make sure they are fully inserted. Slide a small reinforcement clip (F) into the channel and over the screw shafts. See Figure 9.

Line up the 4 screws inserted through the Stile with the extrusion holes in the top rail and the bottom transom rail and tighten all 4 screws until flush and secure. Go back and tighten the screws in the bottom door rail. See Figure 9.

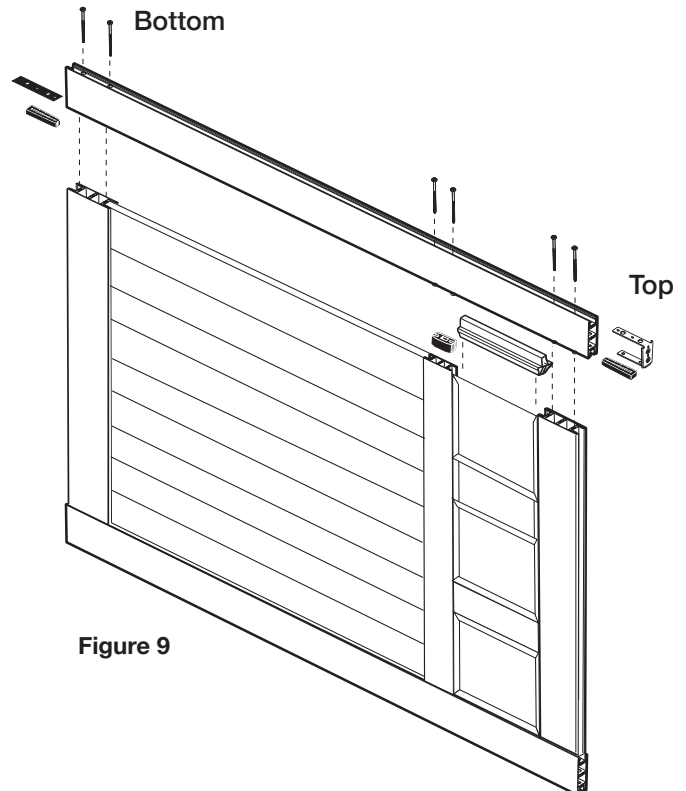


Figure 9

# PVC Barn Door Assembly and Track Installation G Style 42"

## 9. Install Roller Brackets

Line up the holes on the Roller Bracket (O) with the U bracket (G) and secure with the 2 allen screws. Repeat with the other Roller bracket (O). See Figure 10.

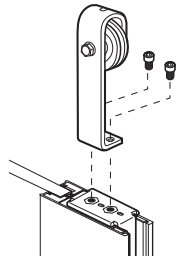


Figure 10

## 10. Finishing Strips

Snap the 2 side finishing strips (M) into place. Snap the top and bottom strips (N) into place. See Figure 11.

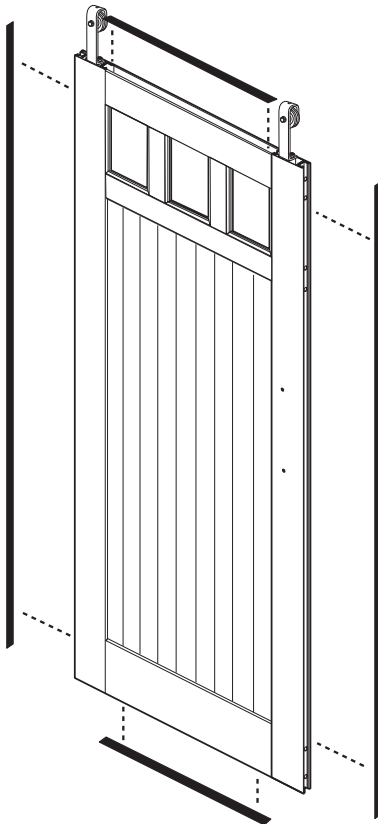


Figure 11

## 11. Install Safety Spacers

Once the Rolling brackets have been secured and the finishing strips in place, it is important to install the Safety spacers (W). These spacers help to protect the door from being bumped off of the track. With the door laying flat in a safe and secure position, place one of the two spacers approximately 2" to the inside of one of the roller brackets. Place slightly off center towards the front of the door. Using a drill, secure the spacer with the screw provided. Repeat steps to install the second spacer inside the other roller bracket.

See Figure 12.

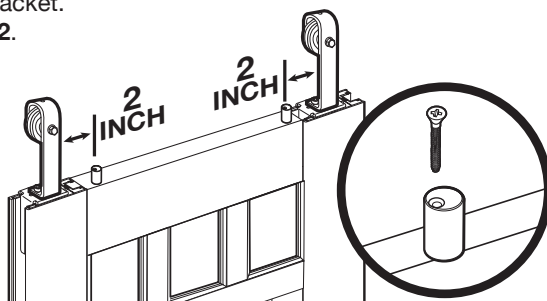


Figure 12

## 12. Place door onto Track

Position the door over the opening and slightly tilt the bottom of the door outward away from the wall. Set the rollers securely onto the track. Once the door is safely mounted and is secure, turn the 2 safety spacers 180 degrees towards the wall. This positions them properly under the track. See Figure 13.

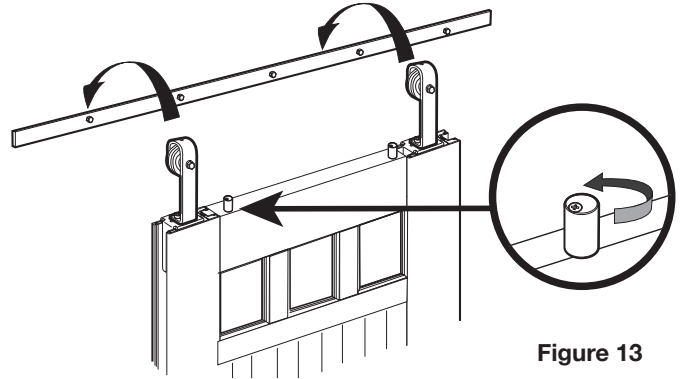


Figure 13

## 13. Install Handle

Measure up 52" from the bottom of the door and mark that location. Measure in 2 3/4" in from the edge of the stile and mark this spot. Drill a hole through the stile at the intersection of these 2 marks. Place the handle (P) on the door and insert one of the handle bolts into the top hole in the handle. Put the washer and nut onto the backside of the door and tighten the nut. Do not tighten fully at this point. Using a level to make sure the handle is plumb, mark the location of the bottom hole in the handle. Move the handle aside and drill the second hole through the stile. Put the remaining bolt through the hole in the handle. Put the washer and nut onto the backside of the door and tighten the nut. Use the wrench provided to fully tighten the bolts and secure the handle.

See Figure 14.

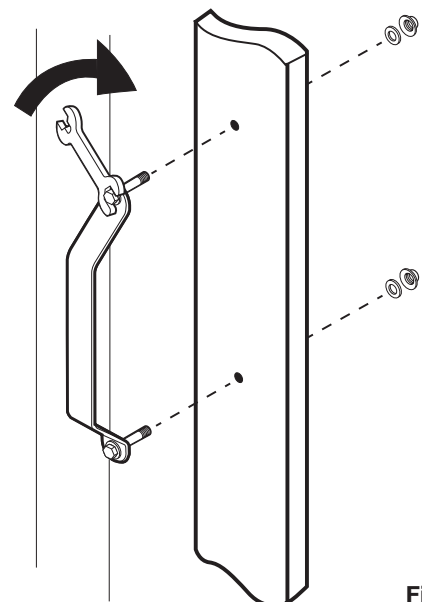


Figure 14

# PVC Barn Door Assembly and Track Installation G Style 42"

## 14. Install Floor Guide

The Bottom Door guide keeps the door from swinging outward away from the wall. To locate the proper installation position in the floor, slide the door into the closed position and mark the outside edge of the door on the floor. Now place the door into the open position and mark the inside edge of the door on the floor. Make sure your guide location is well marked. Make sure that whether the door is in the open or closed position, that the door NEVER leaves the Door guide. This is the proper location for the Door guide. Set the width of the floor guide to 1 1/2". Slide the door out of the way and place it on the floor in between the 2 marks. Pre-drill holes if necessary for your floor type. Using a drill and the screws provided, secure the Door guide to the floor. **See Figure 15.**

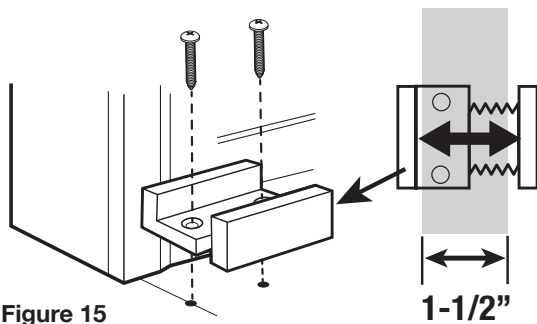


Figure 15

## 15. Set Door Stops on Track

Make sure the rubber stoppers are facing inward on each side. Move the door to the closed position and slide the Door stop to desired location. Using the provided Allen wrench, tighten the screws in the door stop to secure it in place. Then carefully glide the door into the fully open position and repeat the steps for the remaining Door stop. **See figure 16.**

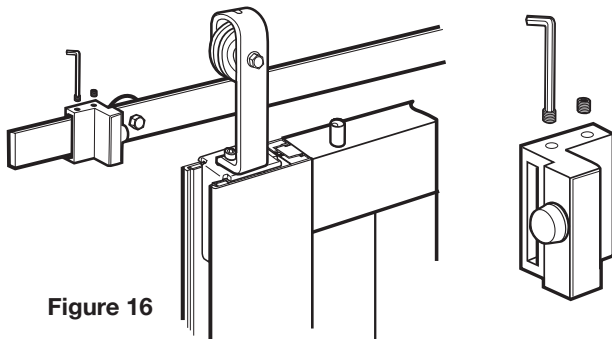


Figure 16

# Overview G Style 42"

