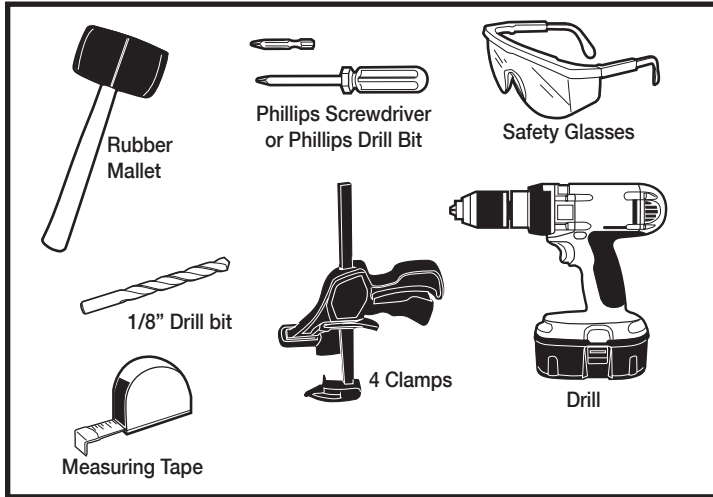


# Wood Barn Door Assembly

Inspect all parts and read instructions thoroughly before beginning. It is required that you complete the desired look and finish to your door after it is fully assembled. For the best finishing results, lightly sand the door first with very fine sandpaper and wipe with a clean cloth. Variations in color and small scratches and nicks are a natural part of the wood and are not defects.

A large sturdy workbench is recommended.

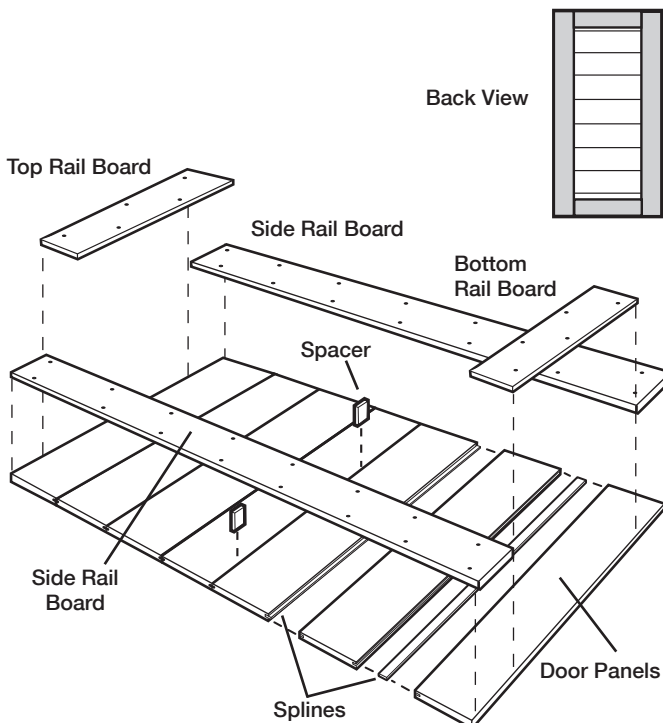
## Tools Needed



## Parts and Tools Included

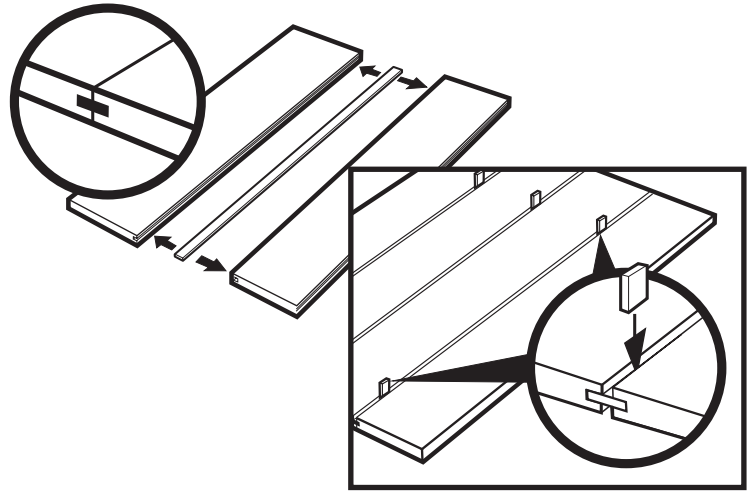
9 door panels, 8 splines, 16 spacers, 1 pre-drilled top rail board, 1 pre-drilled bottom rail board, 2 pre-drilled side rail boards, drill bit, phillips screwdriver bit and 48 screws.

## Exploded View

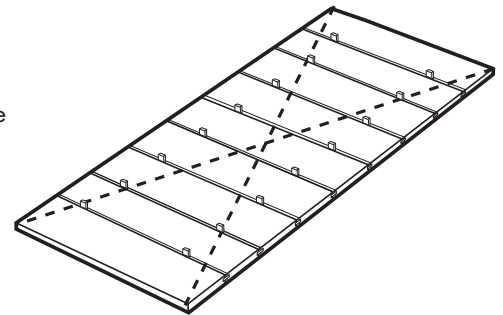


## 1. Assemble Door Panels

Place one door panel flat on your work surface, making sure the groove side of the panel is to the inside and the smooth side to the outside (This is an end panel. You will have two panels like this, one for the top and one for the bottom). Take one of the thin wooden splines and place it evenly into the panel groove. Do not hammer the splines. Place 2 spacers onto the spline (one towards the left and one towards the right). This ensures even alignment of the panels. Insert the next panel into the first spline. Gently tap panel into place with mallet. Repeat the spline and spacer steps with the remaining panels. Make sure all panels are aligned left and right as you go. Panels should be evenly spaced and snug. The last panel will also be an end panel with a smooth outer edge.

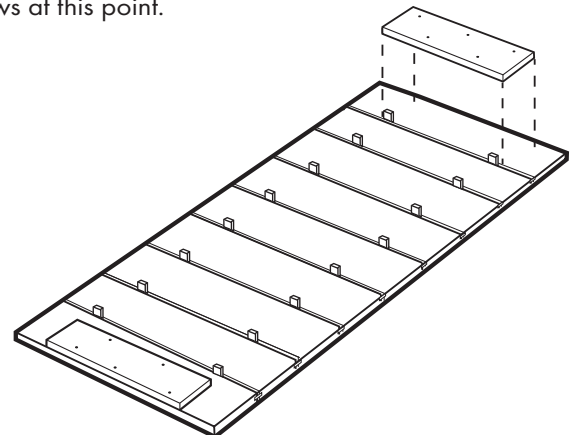


Make sure the door is square by measuring diagonally from both directions. These measurements must be equal. Using the mallet, adjust the boards until equal. Do not hit the splines.



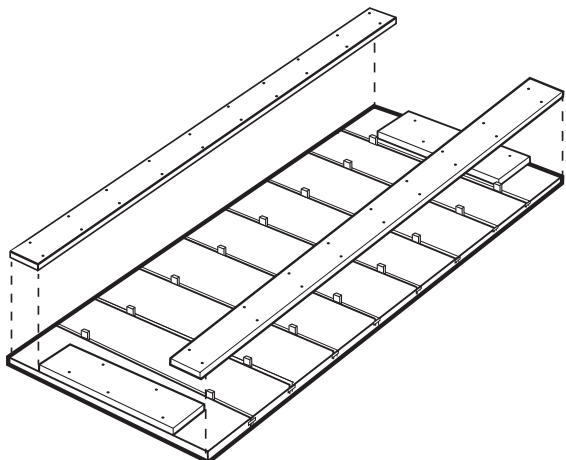
## 2. Top and Bottom Rail Boards

Place the top and bottom rail boards onto the end panels of the assembled door panels with the pre-drilled recessed opening side up. Make sure both Rail Boards are flush with the door edges on top and bottom. There should not be any overhang. Panels should be evenly spaced and snug. Do not insert any of the screws at this point.



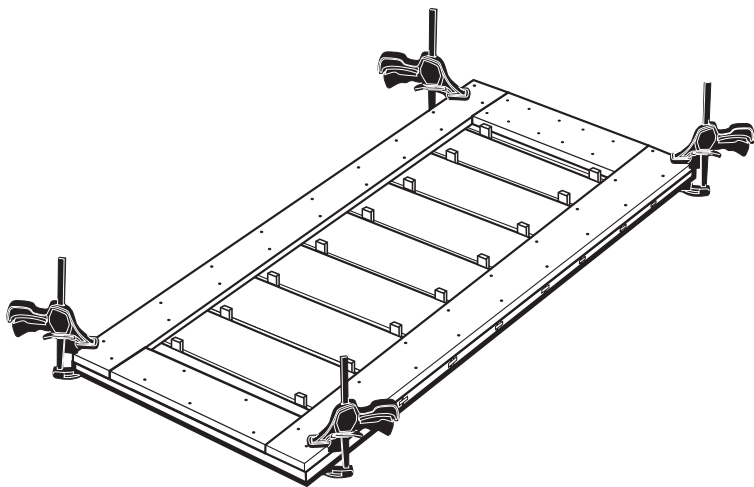
### 3. Side Rail Boards

Place the side rail boards onto the door with the pre-drilled recessed opening side up. Make sure it lays flush against the top and bottom rail boards (Make sure there is no overhang on the sides).



### 4. Secure Top and Bottom Rail Boards

Once all panels and boards are flush and square, use the clamps to secure all 4 corners. With the pre-drilled holes as your guide, drill a shallow pilot hole into the 2 outer most holes in the top and the bottom rail boards. **Do not drill completely through the door panel.** Using the screws provided, secure the 2 rail boards at the 4 pilot hole locations. Continue the process with the remaining holes in the top and bottom rail boards. Make sure all screws are installed and secure but do not over tighten. Over tightening can cause splintering in the wood. It is important to check that all panels are still flush and square as you go.



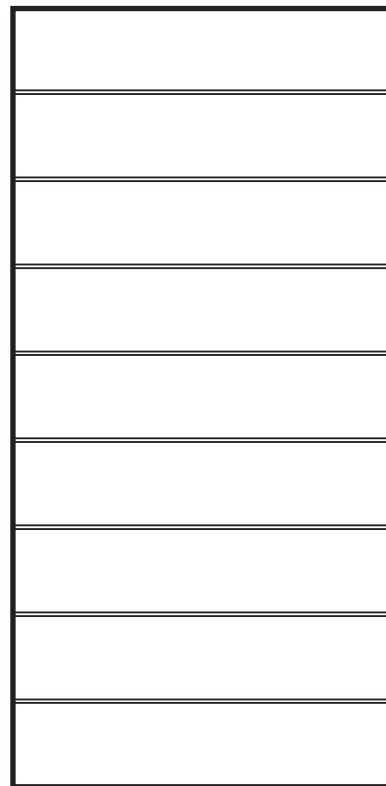
### 5. Secure Side Rail Boards

Once the top and bottom rail boards are installed, drill shallow pilot holes in door panels through the side boards (using the pre-drilled holes as a guide) and then with a screwdriver, secure with the screws provided. **Do not drill completely through the door panel.** Do not over tighten. Over tightening can cause splintering in the wood. It is important to check that the board is still flush as you go. Once the side rail boards are secure, remove the clamps and spacers.

### 6. Install Track Brackets

The door is now ready for the installation of the track brackets.

**Note:** If using the Wood Barn Door Track included in this kit, please refer to the provided instructions prior to installing.



Finished Front Door View