

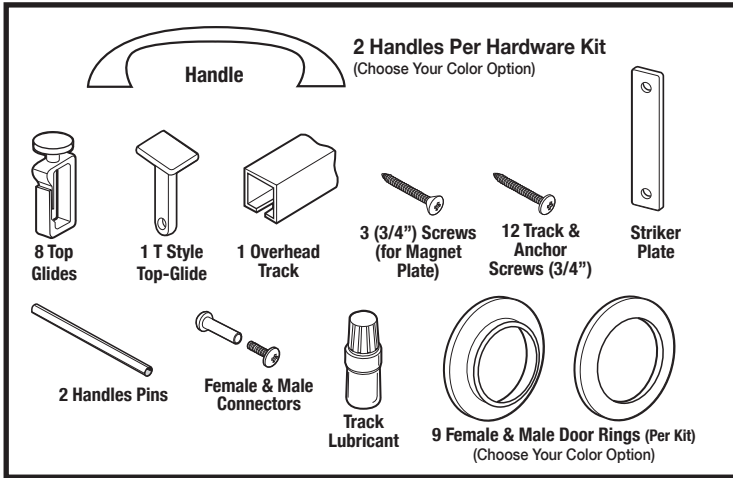
Nuevo/Deco INSTALLATION INSTRUCTIONS

For quick and easy installation of your folding door, read these instructions thoroughly. A few minutes of prior planning will make the job easier and will insure years of trouble-free use.

The Tools You Will Need

You will need a small #1 Phillips screwdriver, a tape measure, a small nail, and a 3/32" drill bit for pilot holes, a hacksaw or fine tooth saw (saw needed to trim top track for the appropriate width or to trim height of panels if door is less than 80" high); and masking tape (to secure doors if trimming is necessary.)

Make Sure All The Following Parts Are Included With Your Folding Door:

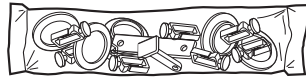


Door Hardware Color

You may choose between **2 color** options for your door hardware application.

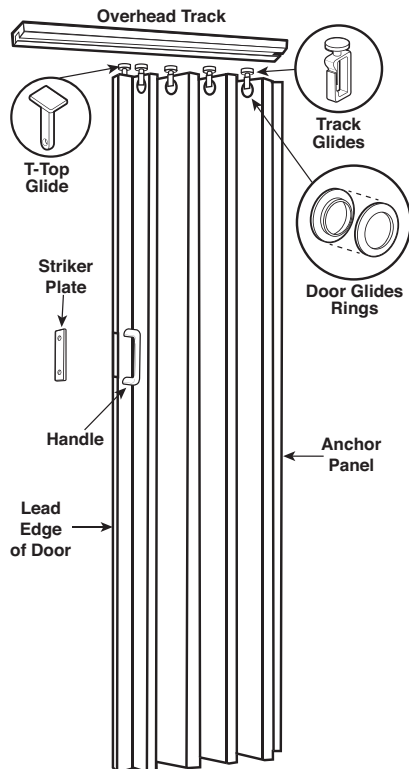


Handles



Rings & Glides

Door Parts Location

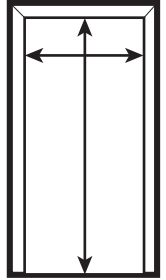


SINGLE DOOR INSTALLATION

1. Measure the Door Opening

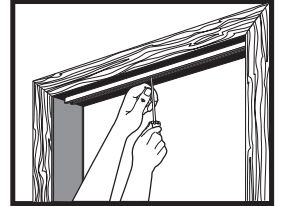
If the height of your door opening is approximately 80", you will not need to alter the door itself. If the opening is less than 80" high, the door may be shortened by sawing off excess from the bottom of the door panels (end without holes).

If the opening is less than 80" high: Stack the door panels together and cut with a hacksaw or fine tooth saw. Cut the overhead track 1/8" shorter than the width of the opening.



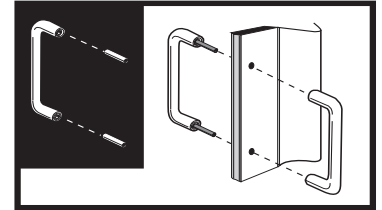
2. Install the Overhead Track

Position the overhead track on the top of the door opening so that it is straight and centered. After making a pilot-hole (with a nail or 3/32" drill), drive a 3/4" track screw through the screw hole nearest the center of the track. Do not tighten. (Tape may be used to hold the track in place while you mark and drill.)



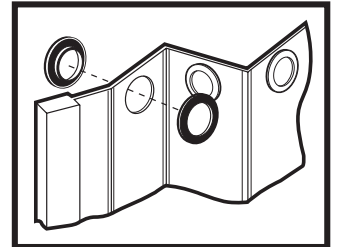
3. Install the Handles

Choose color handle set. Tap the two handles attachment pins into one handle, then fit the pins through the door panel holes. Press the other handle onto the pins. If necessary, you may back one handle with a solid object and tap the other handle alternately over each pin area until the handles are seated. Do not strike the middle of either handle



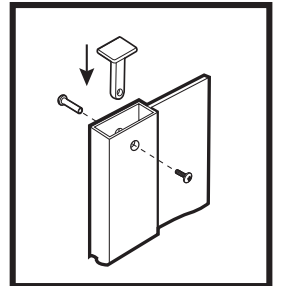
4. Install the Door Rings

Choose color ring set. Align the Male and Female Door Rings with the door hanging holes located at the top of the door. Apply even pressure until rings lock together.



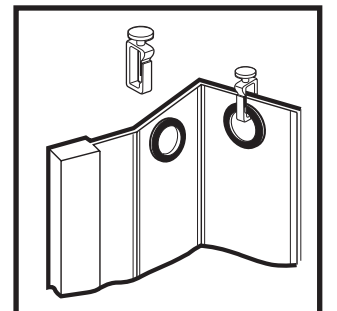
5. Install the T Top Glide

To secure the lead edge top glide, place the T shaped part inside the lead edge and align the holes. Then insert the female section from the outside hole through the hole in the T shaped glide through the other side of the lead edge. Then insert the threaded male screw into the female part and tighten until snug.



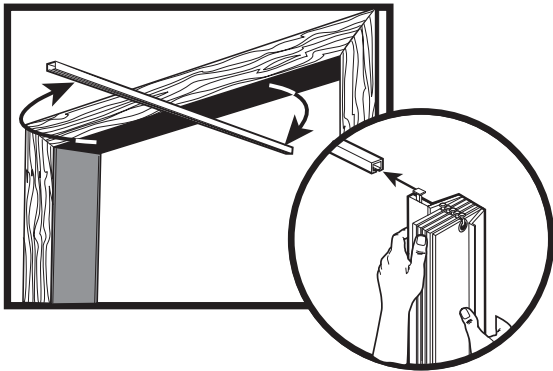
6. Connect Glides to Door Rings

Making sure clips are all facing same direction, fasten Top Glides onto Door Rings.



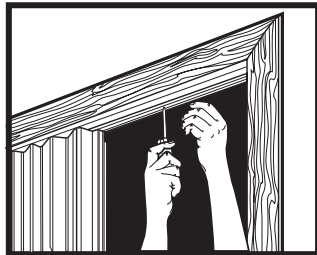
7. Install the Door Panels

Apply track lubricant to each top-glide. Swing one end of the overhead track out of the door opening to accept the top-glides. Decide if you want the door to open from the left or the right, then slide all top-glides onto the track. Stack the panels together near the center screw.



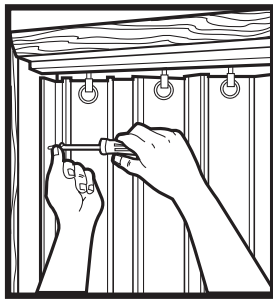
8. Secure The Overhead Track

Swing the track back to its original position. With a nail or a 3/32" drill, drive the 3/4" track screws through all track holes. Set all screws as straight and tight as possible to assure smooth operation of the door.



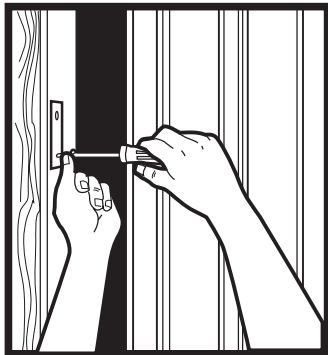
9. Secure The Anchor Panel

Align the Anchor Panel on the non-opening side of the door jamb. Make sure the panel is straight up and down. Using the drill, insert the 3/4" screws and secure the panel to the jamb.



10. Install The Magnetic Latch Striker Plate

Position the striker plate on the magnet located on the lead edge of the door. Close the door until it strikes the door jamb. Mark the location of the striker plate holes on the jamb. Make pilot-holes (with a nail or a 3/32" drill) in the jamb. Install the striker plate with two 3/4" flathead screws.



Double Door Installation

For openings wider than 36" and less than 72", two doors may be used in pairs

1. Measure The Door Opening

Divide the width of the opening by two. Cut each overhead track to this measurement so that when installed, the tracks butt against one another in the center of the door opening.

2. Install The Overhead Track

On a center line drawn across the top of the door opening, install either half track and install all screws in the half track.

3. Install The Door Panels

Please lubricate the top glides with the lubricant supplied. Install the two doors in the first track with lead edges facing each other. Then install the second track and push one door onto this track. Set a screw at the track center joint and leave the screw projecting down 1/2" to prevent glides from passing the joint.

4. Secure the Anchor Panels

Align one Anchor Panel on one side of the door jamb. Make sure the panel is straight up and down. Using the drill, insert the 3/4" screws and secure the panel to the jamb. Repeat on the other side of the door jamb with remaining anchor panel.



LTL HOME PRODUCTS, INC.

For additional product information, please visit our web site
www.ltlhomeproducts.com

© 2015 LTL Home Products, Inc.